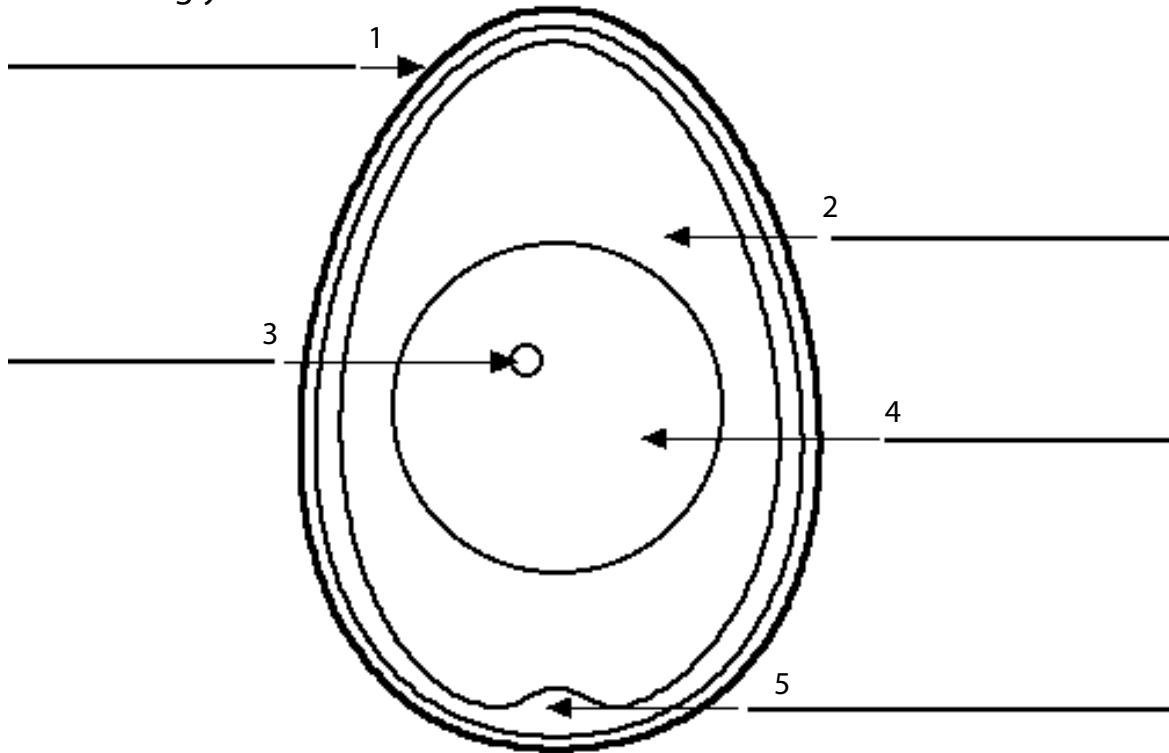


# CHICKEN EGG LABELING

Read the descriptions about the cross-sections of the chicken egg and then label the diagram accordingly.



- **Yolk** – The inner, yellow part of the egg. The embryo forms here. As it grows, the food contained in the yolk nourishes the embryo.
- **Albumin** – The white of the egg.
- **Germinal Disc** – A white spot on the surface of the egg yolk. The sperm enters the egg through the germinal disc.
- **Shell** – The hard coating of the egg made of calcium carbonate. The shells allows gas exchange but prevents anything else from entering the egg.
- **Air Cell** – The space between the shell and the white of the egg. This is located at the large end of the egg.

Answers: 1) Shell 2) Albumin 3) Germinal Disc 4) Yolk 5) Air Cell